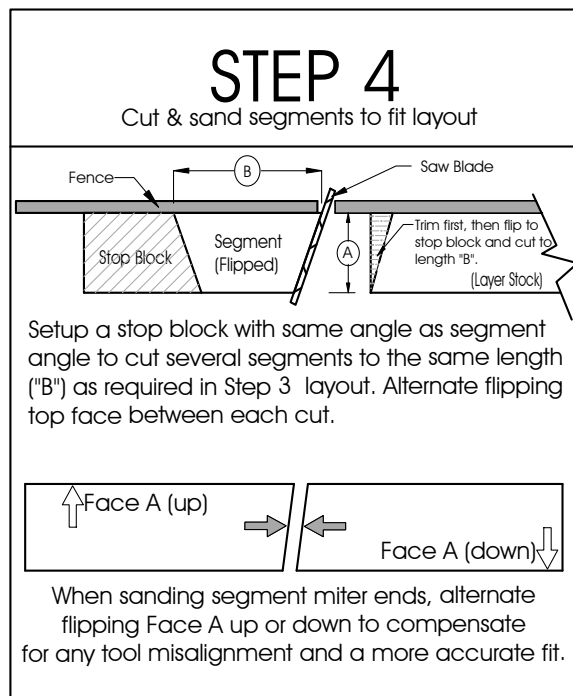
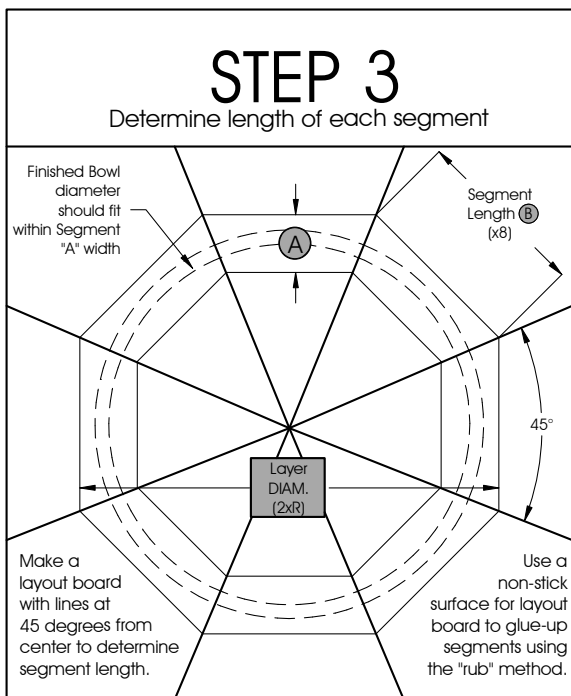
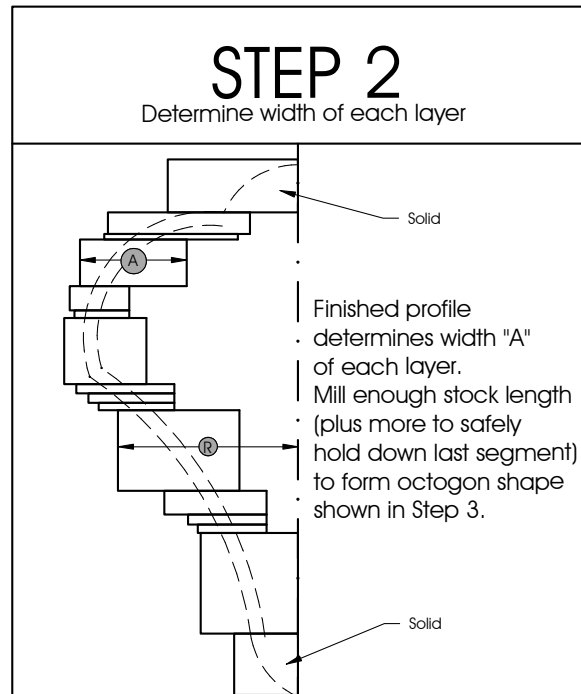
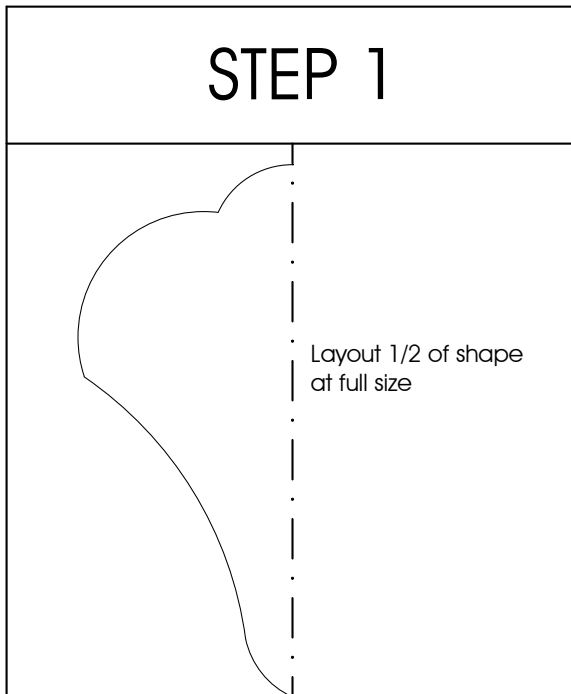
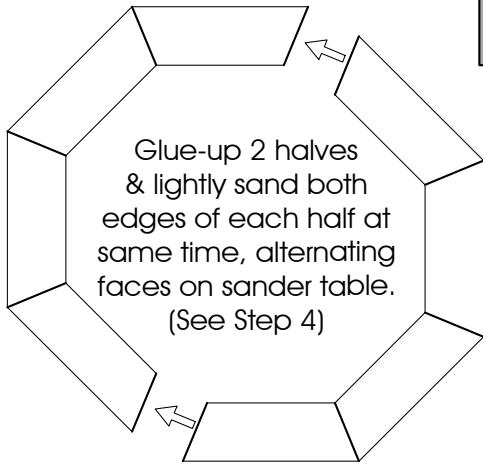


Steps for creating a segmented turning...

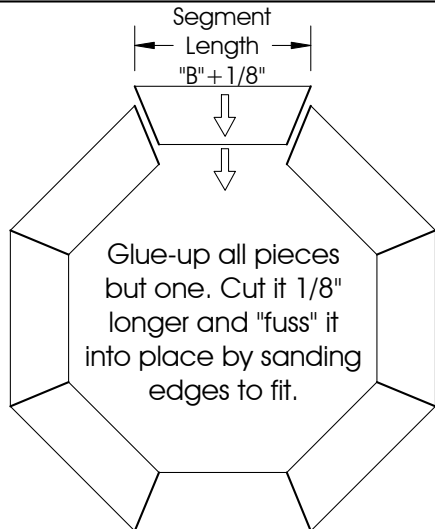


STEP 5



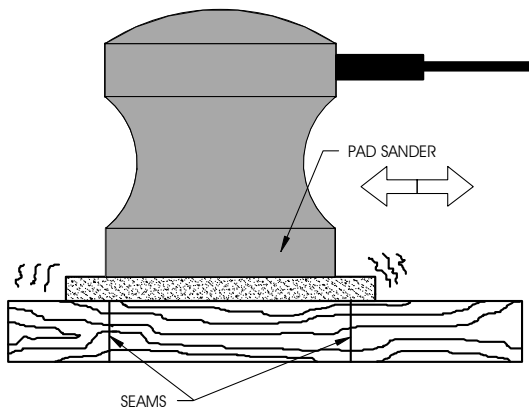
Or...

STEP 5a



STEP 6

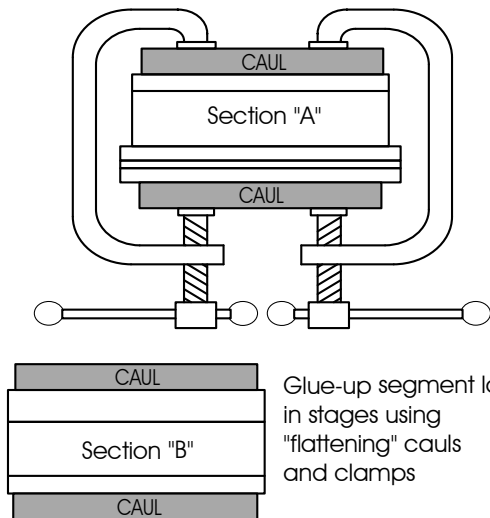
Sand glued-up segments flat



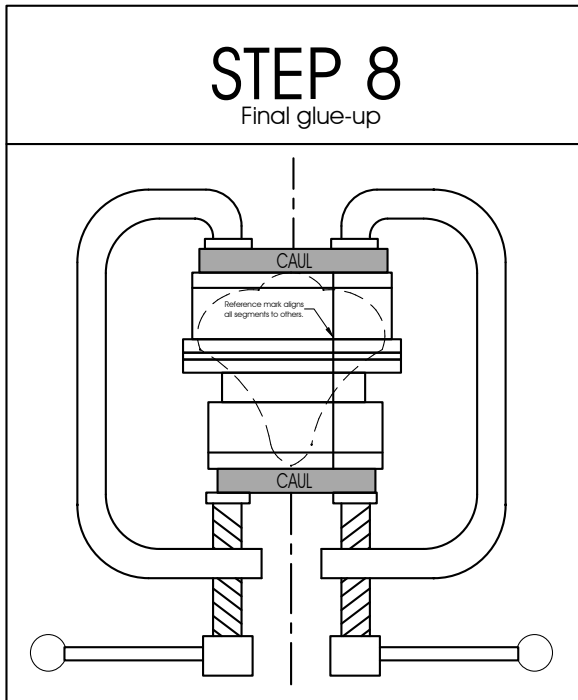
Move quickly over entire surface of both sides without lingering over one area, as that causes unevenness.

STEP 7

Align and glue-up layers between cauls



Glue-up segment layers in stages using "flattening" cauls and clamps



Glue-up all smaller segmented layers to each other, using a reference line to align layers, and forming the final size to mount onto the lathe.

NOTES: _____
